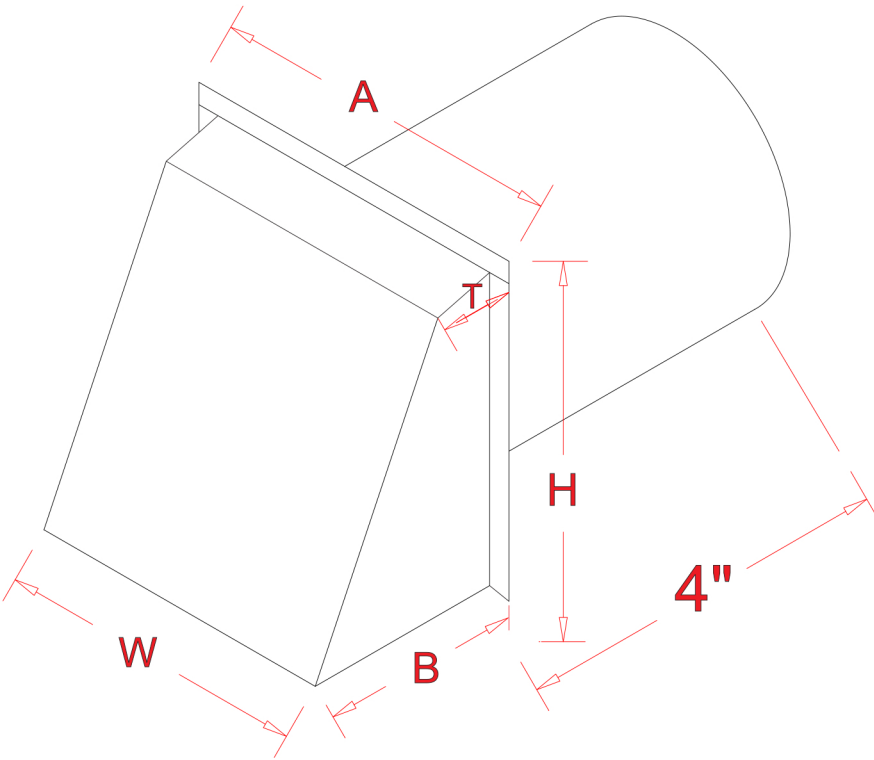


# ROUND WALL VENT

VENT THROUGH THE WALL FOR INTAKE OR EXHAUST  
APPLICATIONS – DWV\_\_ ,SWV\_\_ , SDWV\_\_

**J&R SENIOR  
SHEETMETAL INC.**

*custom copper work*



SIZE	A	B	H	T	W
4	6 ¼	3 ⅛	6 ¼	1 ¼	5
6	8 ½	4	8 ½	2	7
8	12 ½	6	11 ½	2 ¼	10 ½
10	14 ¾	7	13 ½	2 ¾	12 ¾

- Available with or without damper.
- Available with or without screen.
- Large hood will not restrict air.